

VC 1200W

EN

INSTRUCTIONS
WET AND DRY VACUUM
CLEANER



 **TROTEC**

Table of contents

Information on the use of this instructions 2

Safety 2

Information about the device 4

Transport and storage 6

Start-up 7

Operation 12

Available accessories 14

Errors and faults 14

Maintenance 15

Disposal 18

Information on the use of this instructions

Symbols



Warning of electrical voltage

This symbol indicates dangers to the life and health of persons due to electrical voltage.



Warning

This signal word indicates a hazard with an average risk level which, if not avoided, can result in serious injury or death.



Caution

This signal word indicates a hazard with a low risk level which, if not avoided, can result in minor or moderate injury.

Note

This signal word indicates important information (e.g. material damage), but does not indicate hazards.



Info

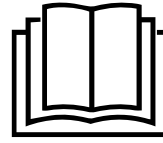
Information marked with this symbol helps you to carry out your tasks quickly and safely.



Follow the manual

Information marked with this symbol indicates that the instructions must be observed.

You can download the current version of the instructions and the EU declaration of conformity via the following link:



VC 1200W



<https://hub.trotec.com/?id=46736>

Safety

Read this manual carefully before starting or using the device. Always store the manual in the immediate vicinity of the device or its site of use.



Warning

Read all safety warnings and all instructions.

Failure to follow the warnings and instructions may result in electric shock, fire and/or serious injury.

Save all warnings and instructions for future reference.

This appliance can be used by children aged from 8 years and above and persons with reduced physical, sensory or mental capabilities or lack of experience and knowledge if they have been given supervision or instruction concerning use of the appliance in a safe way and understand the hazards involved.

Children shall not play with the appliance. Cleaning and user maintenance shall not be made by children without supervision.

- Do not open the device housing or the power adapter. There is danger of a short circuit.
- Keep device and power adapter away from open fire and hot surfaces and do not store or operate them in their vicinity.
- Do not pull the power adapter out of the socket by the connection cable, always hold on to the power adapter itself.
- Do not leave the device running unattended.
- Insert the mains plug into a properly fused mains socket.
- Do not use the device in aggressive atmosphere.
- Do not use the device in potentially explosive rooms or areas and do not install it there.
- Do not immerse the device in water. Risk of electric shock!
- Do not expose the device to directly squirting water.
- Never insert any objects or limbs into the device.

- Do not operate the device in the vicinity of eyes or ears. Nozzles and pipe ends must never get too close to eyes or ears.
- Do not under any circumstances use the device if you detect damages on the mains plug or power cable. If the power cable is damaged, it must be replaced by the manufacturer, its service agent or similarly qualified persons in order to avoid a hazard. Defective power cables pose a serious health risk!
- Do not sit on the device.
- Switch the device off and disconnect the power cable from the mains socket when the device is not in use.
- Before carrying out maintenance, care or repair work on the device, remove the mains plug from the mains socket. Hold onto the mains plug while doing so.
- The power connection must correspond to the specifications in the Technical annex.
- Check accessories and connection parts for possible damage prior to every use of the device. Do not use any defective devices or device parts.
- Make sure that the air intake opening (6) and air outlet opening (3) are kept free of dirt and loose objects.
- Clean the dust filter, the filter bag and the collection container on a regular basis to prevent a motor overload.
- Do not exchange any accessories during operation.
- Do not use the vacuum cleaner without an inserted filter.
- Do not turn the device around as there might be liquid inside the device. The liquid could enter the engine and damage it.
- Switch off the device immediately if foam or liquid escape from it.
- Do not use the device as a pump.
- Do not fill the detergent tank with liquids of a temperature of ≥ 45 °C.

Intended use

Use the device as a spray extraction vacuum cleaner with detergent or for vacuuming dry or wet surfaces, dry or wet material or liquids in the household or in the car whilst adhering to the technical data.

We recommend using the device with original Trotec accessories.

Any use other than the intended use is regarded as misuse.

Reasonably foreseeable misuse

The device must only be used as intended. The user/operator shall be liable for any consequential damages or injuries resulting from improper use, not the manufacturer. Please bear in mind that this device is not designed for commercial and industrial applications or for use in craft enterprises. We do not accept any liability if the device is used in business, craft or industrial enterprises as well as for similar applications.

Do not use this device for vacuuming on people or animals.

The device must neither be used without an inserted HEPA filter or foam filter nor with a damaged HEPA filter or foam filter.

The device is not intended for vacuuming the following materials:

- lit matches
- ember
- cigarette ends that are still burning
- large or sharp objects or glass splinters
- stone dust
- gypsum
- cement or similar particles
- combustible and/or aggressive materials or liquids
- harmful substances

Any use other than the intended use is regarded as misuse.

Personnel qualifications

People who use this device must:

- have read and understood the instructions, especially the Safety chapter.

Residual risks



Warning of electrical voltage

Electric shock due to insufficient insulation!
Check the device for damages and proper functioning before each use.
If you detect damages, do not use the device any longer.



Warning of electrical voltage

Work on the electrical components must only be carried out by an authorised specialist company!



Warning of electrical voltage

There is a risk of short circuits if the electrical equipment in the device interior comes into contact with water!
Do not immerse the device and the accessories in water. Ensure that no liquids enter the device interior.



Warning

Dangers can occur at the device when it is used by untrained people in an unprofessional or improper way! Observe the personnel qualifications!



Warning

The device is not a toy and does not belong in the hands of children.



Warning

Risk of suffocation!
Do not leave the packaging lying around. Children may use it as a dangerous toy.



Caution

Keep a sufficient distance from heat sources.

Note

If you store or transport the device improperly, the device may be damaged.
Note the information regarding transport and storage of the device.

Behaviour in the event of an emergency

1. Switch the device off.
2. Disconnect the device from the mains feed-in: Hold onto the mains plug while pulling the power cable out of the mains socket.
3. Do not reconnect a defective device to the mains.

Information about the device

Device description

The device VC 1200W is suited for vacuuming dry or wet surfaces, dry or wet material or liquids in the household or in the car.

With the spray extraction function you can additionally treat surfaces with a detergent. Via a pipe below the nozzle, the detergent is sprayed from the tank onto the surface to be cleaned and sucked into the collection container together with the dissolved dirt.

The suction function can also be used to suck away air, e.g. from an air mattress. By connecting the hose to the air outlet opening, the outflowing air can for instance be used to inflate an air mattress.

The device comes equipped with a washable HEPA filter with a filter efficiency of 90 % for dry cleaning and a foam filter for wet cleaning. You can exchange the filters as required.

In the case of wet cleaning applications, the material that is sucked in is collected in the collection container.

The floor nozzle allows you to vacuum dry or wet dirt from the floor.

The spray hand nozzle allows you to clean smaller surfaces like for example car seats, also using detergent.

The crevice nozzle permits the convenient vacuum-cleaning of corners, joints and narrow gaps as well as blowing out places that are difficult to access.

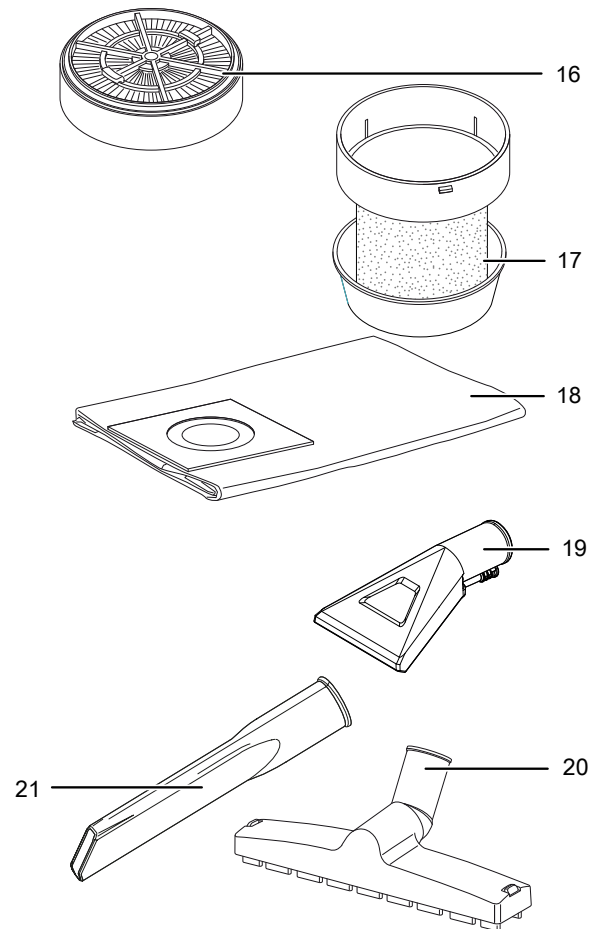
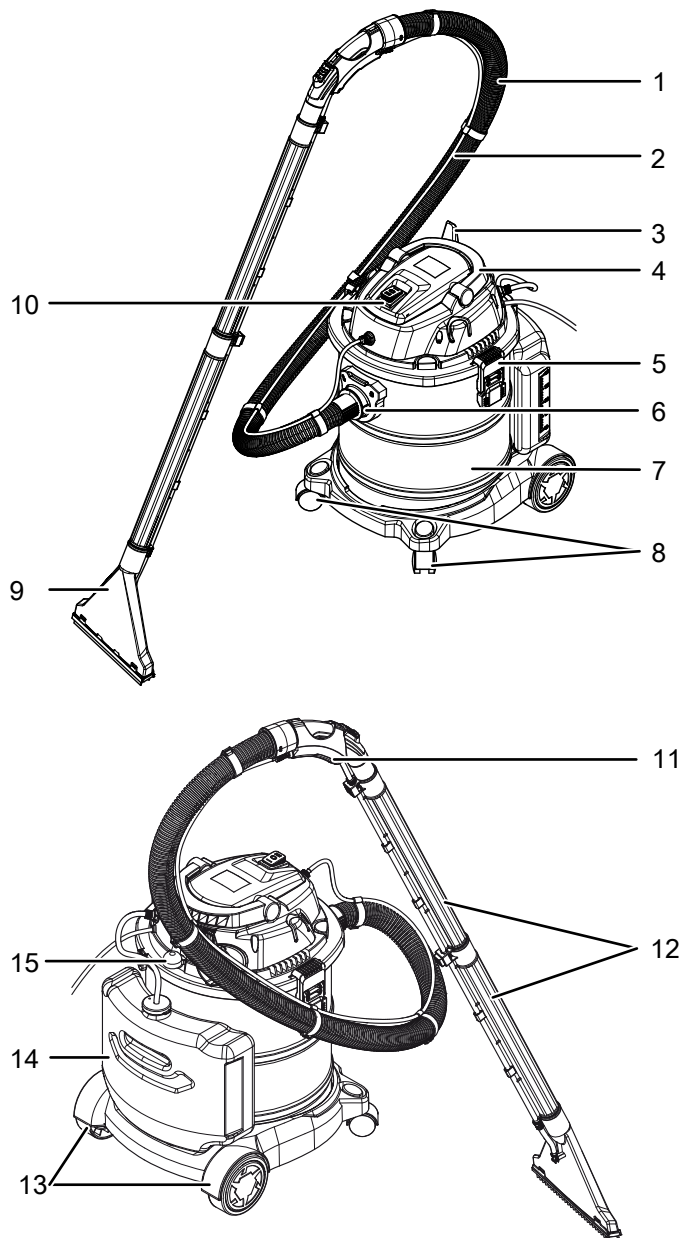
The spray floor nozzle allows for the gentle dry or wet cleaning of furniture, mattresses or carpets, etc.

The suction pipes can be removed separately to make handling of the device easier.

To ensure simple transportation the device comes equipped with wheels and a transport handle.

The device is splash-proof (IPX4).

Device depiction




No.	Designation
1	Hose
2	Detergent pipe
3	Air outlet opening
4	Handle
5	Lock
6	Air intake opening
7	Collection container
8	Swivel castors
9	Spray floor nozzle
10	On/off switch
11	Spray nozzle button
12	Suction pipe
13	Wheels
14	Cleaning agent reservoir
15	Button for filter cleaning
16	HEPA filter
17	Foam filter
18	Dust bag
19	Spray hand nozzle
20	Floor nozzle
21	Crevice nozzle

Scope of delivery

- 1 x Vacuum cleaner
- 1 x HEPA filter
- 1 x Foam filter
- 1 x Crevice nozzle
- 1 x Floor nozzle
- 2 x Spray nozzle
- 1 x Dust bag
- 1 x Hose
- 2 x Suction pipe
- 2 x Wheel
- 2 x Swivel castor
- 4 x Screw
- 1 x Manual

Technical data

Parameter	Value
Model	VC 1200W
Power consumption	1200 W
Pump capacity	25 W
Power supply	230 V / 50 Hz
Type of protection	IPX4
Protection class	II / 
Sound pressure level	80 db(A)
Max. capacity of the dust container for:	
Dry dirt	8 l
Liquid dirt	6 l
Max. capacity of the detergent tank	3.5 l
Hose length	1.8 m
Weight	7.5 kg
Dimensions (length x width x height)	36 x 33 x 52.5 cm

Transport and storage

Note

If you store or transport the device improperly, the device may be damaged.

Note the information regarding transport and storage of the device.

Transport

Before transporting the device, observe the following:

- Hold onto the mains plug while pulling the power cable out of the mains socket.

Storage

Before storing the device, proceed as follows:

- Hold onto the mains plug while pulling the power cable out of the mains socket.
- Clean the device as described in the Maintenance chapter.

When the device is not being used, observe the following storage conditions:

- dry and protected from frost and heat
- Ambient temperature below 45 °C
- Protected from dust and direct sunlight

Start-up

Unpacking the device

- Take the device and the accessories out of the packaging.
- Check the contents of the packaging for completeness and look for damages.



Warning of electrical voltage

Electric shock due to insufficient insulation!
Check the device for damages and proper functioning before each use.

If you detect damages, do not use the device any longer.

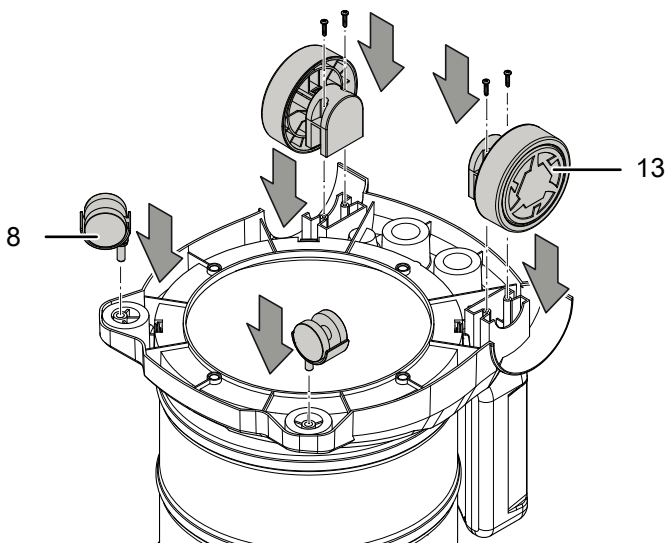
- Dispose of the packaging material according to the national regulations.

Mounting the wheels

Prior to initial start-up, the swivel castors (8) and wheels (13) supplied must be mounted. To do so, please proceed as follows:

1. Insert the two swivel castors (8) into the respective opening on the bottom of the device.
2. Fasten the larger wheels at the rear (13) with two screws each.

⇒ The wheels (13) will click into place.



Utilising the air intake opening and air outlet opening

You can use the device for suction or also for blowing out air.

Suction function/spray suction function:

✓ The device is switched off.

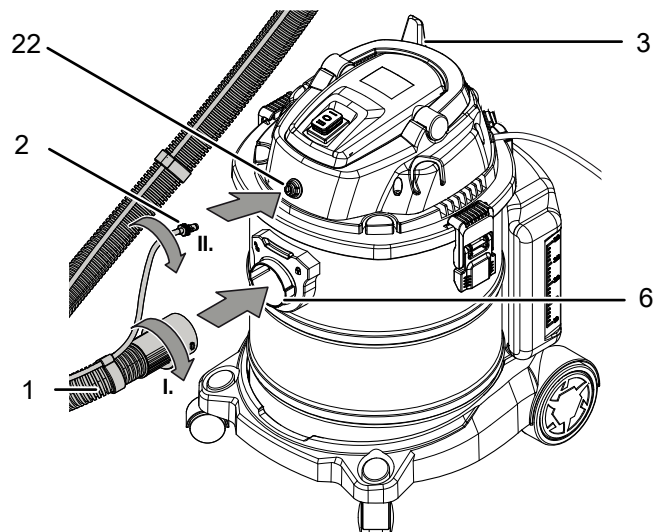
1. Insert the connection end of the hose (1) into the air intake opening (6).
2. Turn the hose (1) in clockwise direction until it clicks into place (I.).
3. To use the spray suction function, insert the end of the detergent pipe (2) into the fitting (22).
4. Tighten the end of the detergent pipe in clockwise direction (II.).

Blow function:

✓ The device is switched off.

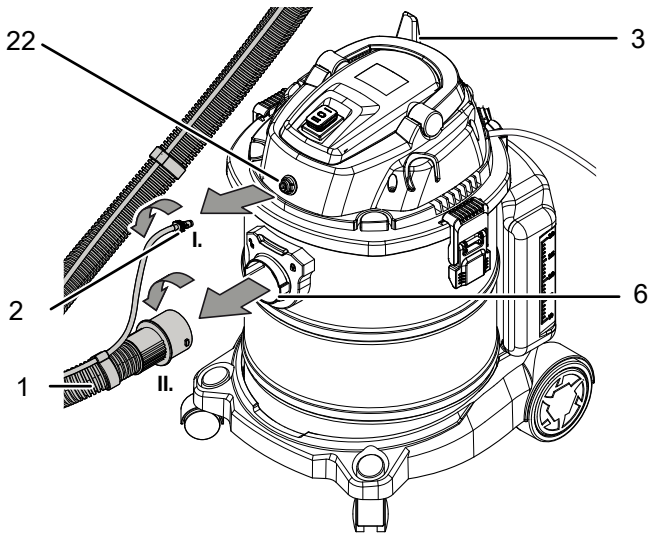
1. Insert the connection end of the hose (1) into the air outlet opening (3).
2. Turn the hose (1) in clockwise direction until it clicks into place (I.).

⇒ The detergent pipe is not connected.



Proceed as follows to remove the hose (1):

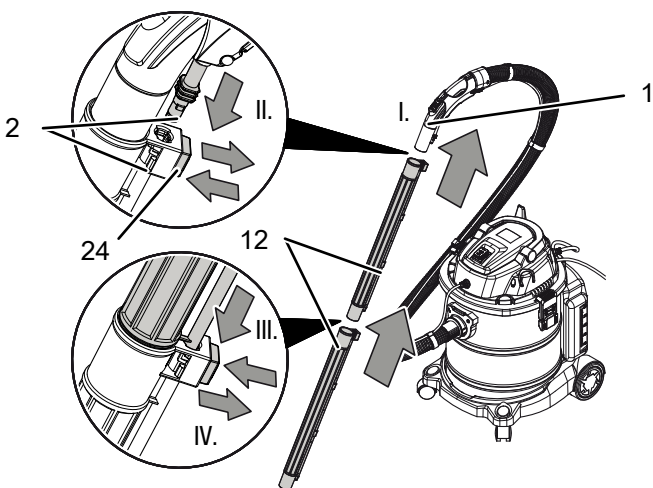
1. When connected, turn the end of the detergent pipe (2) in counter-clockwise direction and remove the detergent pipe from the fitting (22) (I.).
2. Turn the hose (1) in counter-clockwise direction and, depending on the application, remove it from the air intake opening (6) or air outlet opening (3) (II.).



Utilising suction pipes

To extend the reach, you can connect one or two suction pipes to the hose.

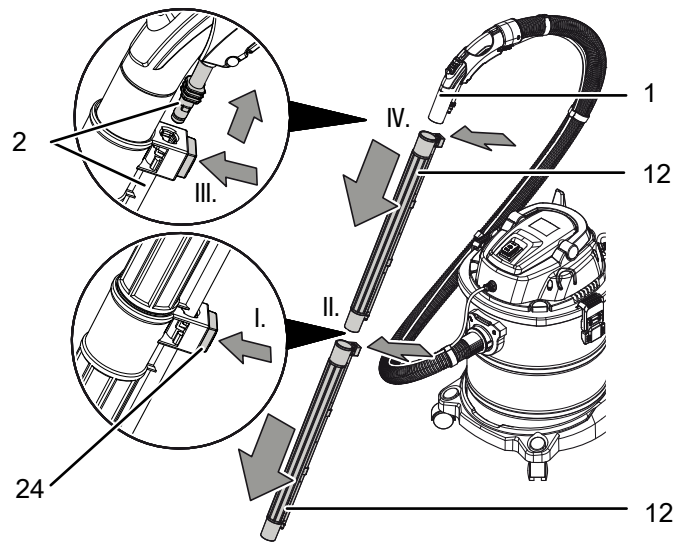
1. Attach the suction pipe (12) to the suction end of the hose (1) with the connection side (I.).
2. Press the locking button (24) on the suction pipe.
3. Insert the end of the detergent pipe (2) into the fitting and let go of the locking button (24) (II.).



5. To do so, press the locking button (24) on the lower suction pipe and plug the two pipes together so that they interlock (III.).
6. Let go of the locking button (24) (IV.).

Proceed as follows to remove the suction pipes:

1. Press the locking button (24) on the lower suction pipe (I.) and draw the suction pipes apart (II.).
2. Press the locking button (24) on the upper suction pipe and remove the detergent pipe (2) from the fitting (III.).
3. Remove the upper suction pipe (12) from the suction end of the hose (1) (IV.).



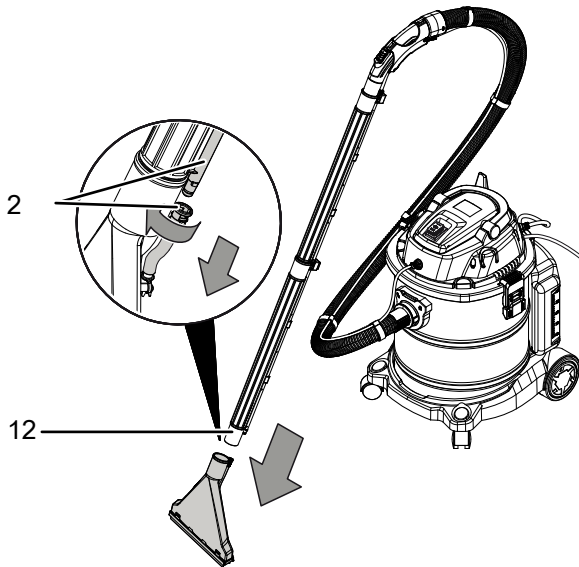
4. If required, attach the second suction pipe (12) to the suction end of the first suction pipe (12) with the connection side (III.).

Changing the nozzles

You can attach all four nozzles to the suction pipe as well as directly to the hose.

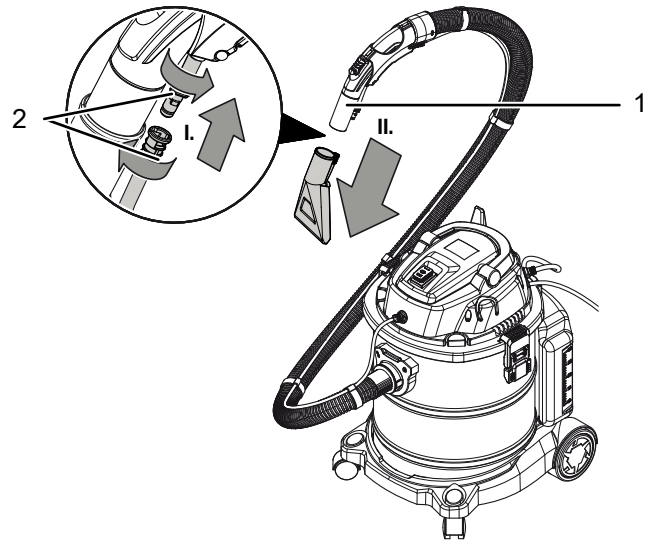
Attaching/detaching the nozzle to/from the suction pipe:

- ✓ The device is switched off.
- 1. Detach the detergent pipe (2) from the suction pipe (12) by turning the connecting piece in counter-clockwise direction and then removing it.
- 2. Now remove the nozzle from the suction pipe (12).

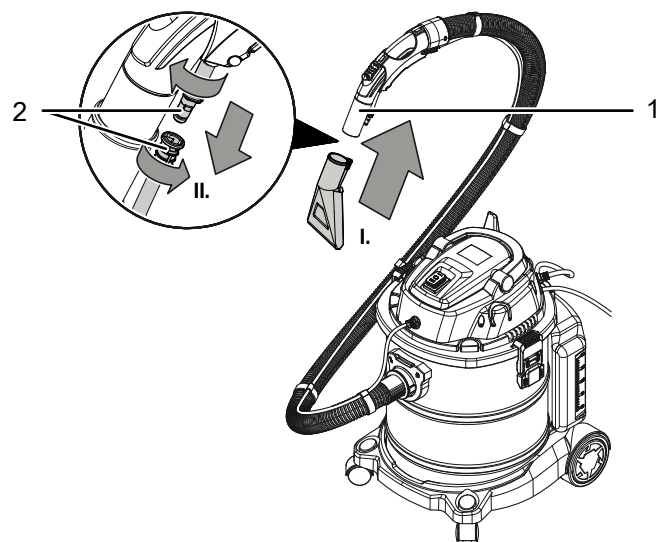


Attaching/detaching the nozzle to/from the hose:

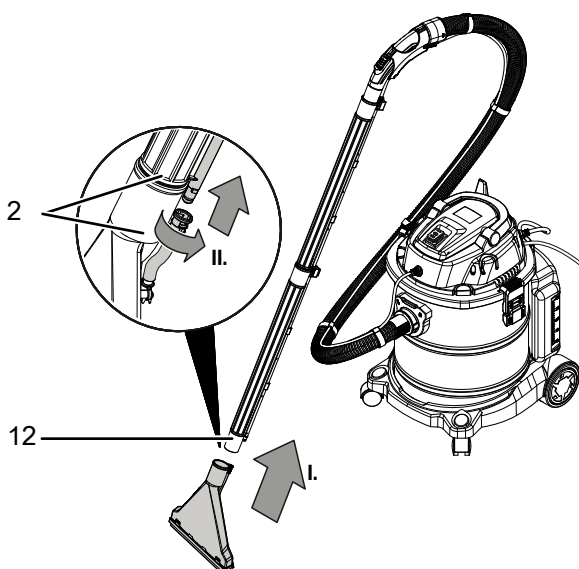
- ✓ The device is switched off.
- 1. Turn the two ends of the detergent pipe (2) in counter-clockwise direction (I.) and release the connection.
- 2. Remove the nozzle from the suction end of the hose (1) (II.).



- 3. Insert the connection side of the desired nozzle onto the suction end of the hose (1) (I.).
- 4. Plug the two ends of the detergent pipe (2) together and tighten them in clockwise direction (II.).



- 3. Insert the connection side of the desired nozzle onto the suction end of the suction pipe (12) (I.).
- 4. Insert the connecting piece of the detergent pipe (2) onto the fitting of the suction pipe.
- ⇒ To do so, align the connecting piece so that the lugs on the fitting match the recesses on the connecting piece.
- 5. Turn the connecting piece attached in clockwise direction to fasten the connection (II.).



Changing the filter

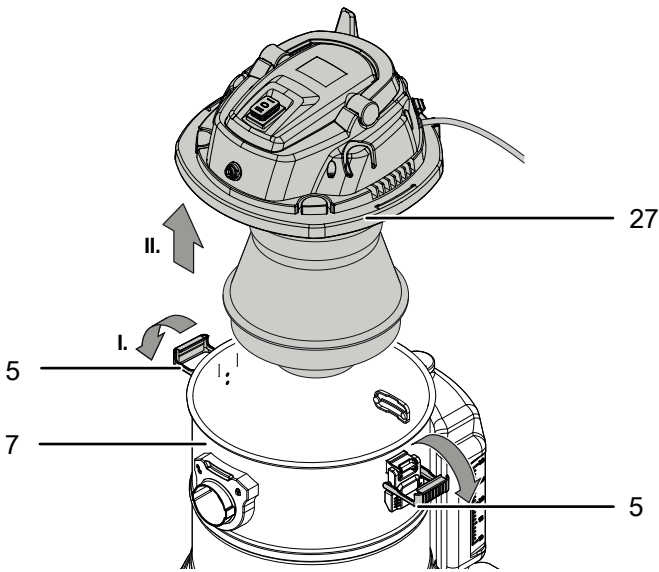
Note

Only use the HEPA filter when vacuuming dry dirt or moist suction material and not in connection with the spray suction function.

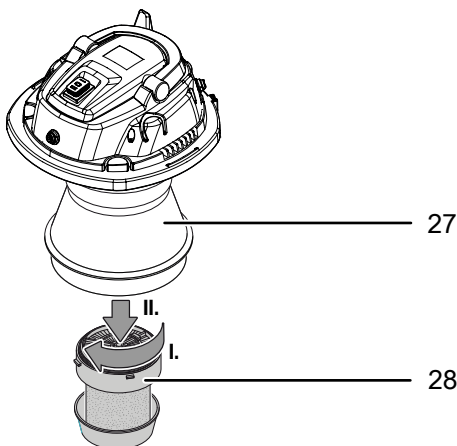
Note

Only use the foam filter for the wet suction function or for cleaning with detergent.

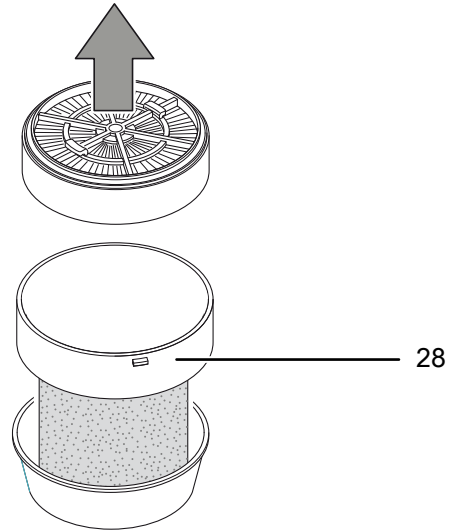
1. Open the locks (5) on both sides of the device.
2. Remove the device head (27) from the collection container (7).



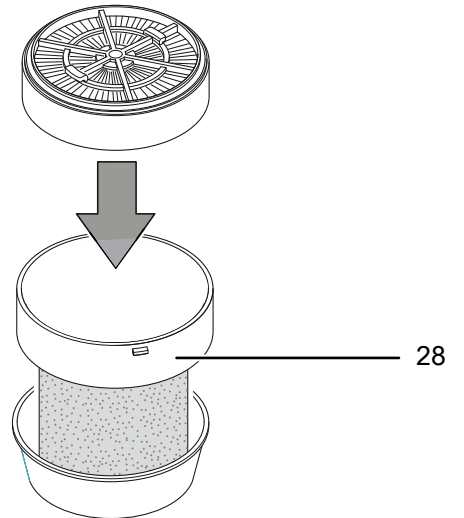
3. Loosen the filter housing (28) by turning it in clockwise direction. Remove the filter housing from the device head (27).



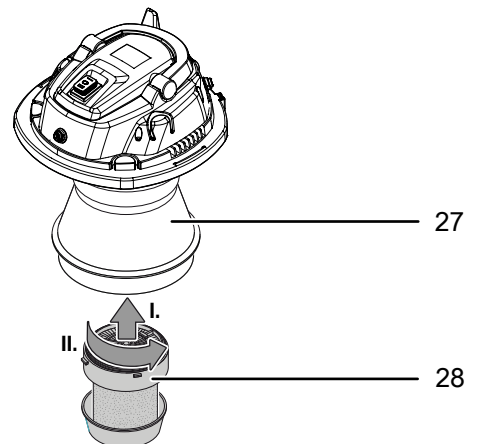
4. If a filter has been inserted, remove it from the filter housing (28).



5. Insert the new filter into the filter housing (28).

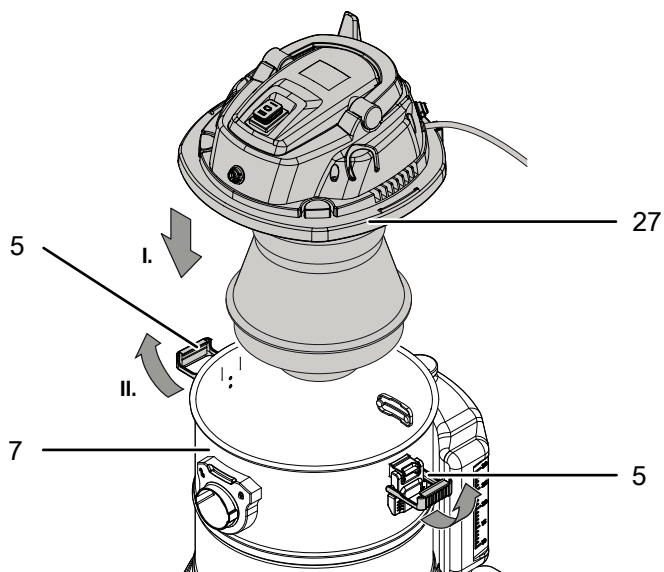


6. Insert the filter housing (28) into the device head (27) and tighten it in counter-clockwise direction.



7. Fit the device head (27) on the collection container (7).

- Close the locks (5) on both sides of the device.



- Fit the device head (27) on the collection container (7).
- Close the locks (5) on both sides of the device.

Proceed as follows to remove the dust bag (18):

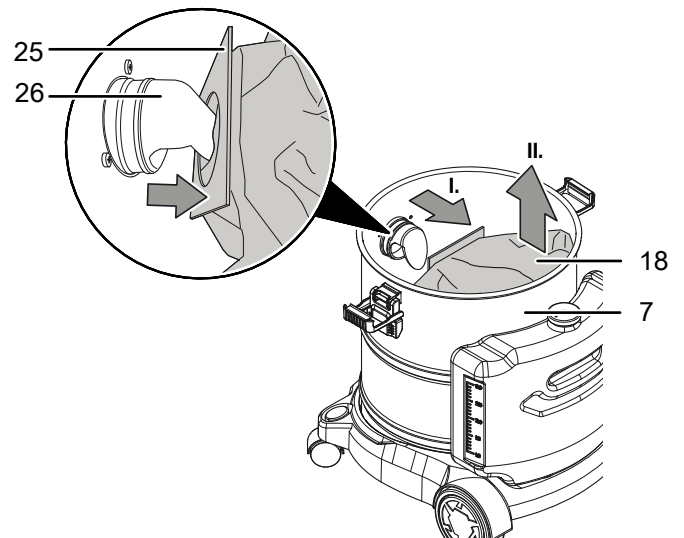
- Open the locks (5) on both sides of the device.
- Remove the device head (27) from the collection container (7).
- Take hold of the dust bag (18) at the mount (25) and carefully remove it from the inner piece of the suction pipe (26).
- Remove the dust bag (18) from the collection container (7).
⇒ Make sure that no dirt falls out of the opening of the dust bag when you remove it.

Inserting the dust bag

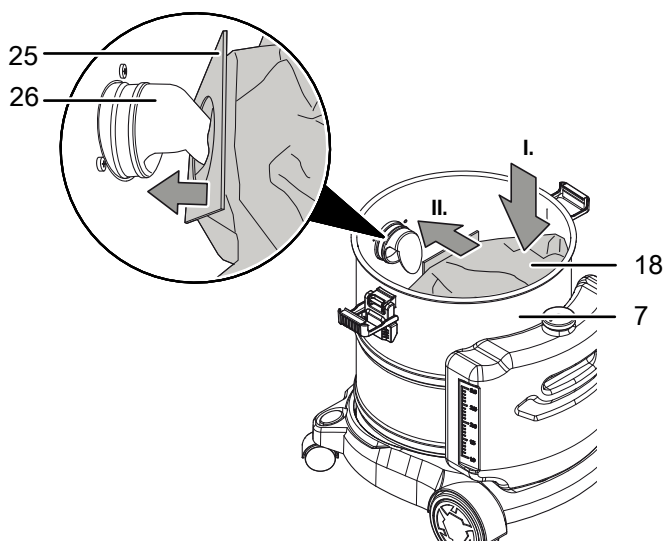
Note

Only use the dust bag to vacuum dry dirt! When the dust bag comes into contact with liquid, it will be damaged.

- Open the locks (5) on both sides of the device.
- Remove the device head (27) from the collection container (7).
- Unfold the dust bag (18) and place it into the collection container (7).
- Take hold of the dust bag (18) at the mount (25) and, with its opening, carefully draw it over the inner piece of the suction pipe (26).
⇒ Draw the dust bag (18) over the pipe until it touches the wall of the collection container (7).



- Fit the device head (27) on the collection container (7).
- Close the locks (5) on both sides of the device.



Filling the detergent tank

Note

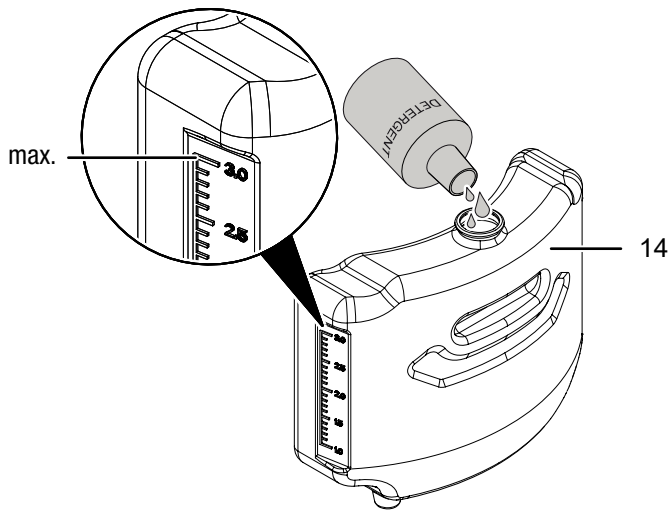
Make sure that the detergent is suitable for the surface to be cleaned.

Always use detergents sparingly in terms of environmental protection.

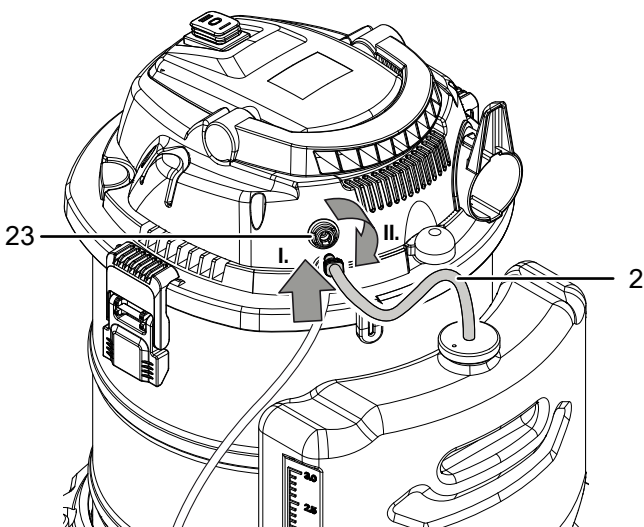
Note

Viscous detergent can block the device's pump.
Dilute viscous detergent with water.

1. Open the cover of the detergent tank.
2. Fill the tank (14) with suitable detergent.
 - ⇒ Ensure that the detergent level does not exceed the 3 l mark on the side of the tank.



3. Close the cover of the tank.
4. Insert the detergent pipe of the tank into the suction connection of the detergent pump (23) (I.) and tighten it in clockwise direction (II.).



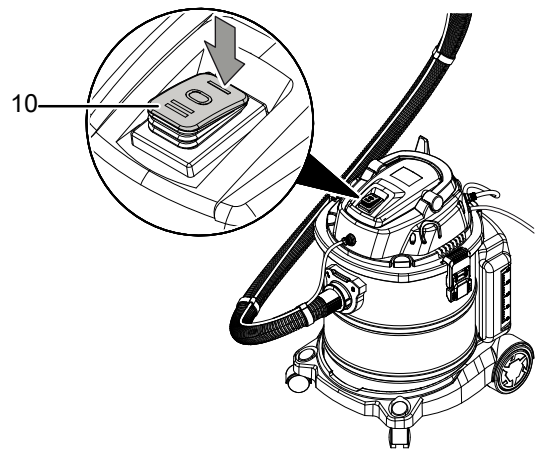
Operation

Tips and notes on handling the vacuum cleaner

- Before vacuuming, refer to the respective manufacturer to obtain care instructions for your flooring or floors.
- Never use the device without an inserted HEPA filter or foam filter.
- Do not vacuum any sharp objects. They can damage the device or can get caught in the device and cause blockages.

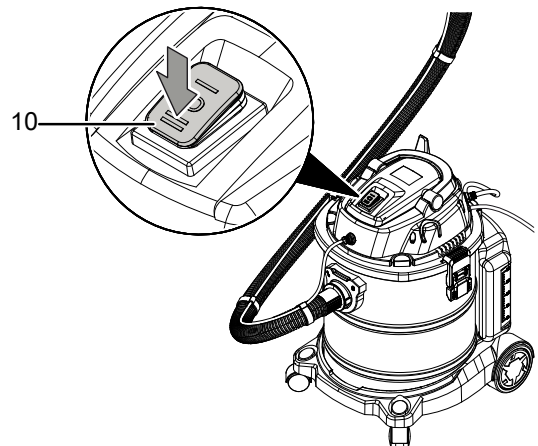
Switching the device on

1. Press the on/off switch (10) to position I to switch on the suction function.



⇒ The device is switched on. You can vacuum dry or wet dirt.

2. Press the on/off switch (10) to position II to switch on the cleaning function with detergent.



⇒ The device is switched on. You can treat surfaces with detergent.

Cleaning with detergent

Note

For cleaning with detergent only use the spray floor nozzle or the spray hand nozzle. The other nozzles are not provided with a fitting to the detergent pipe.

Note

Ensure that the detergent tank contains a sufficient amount of detergent.

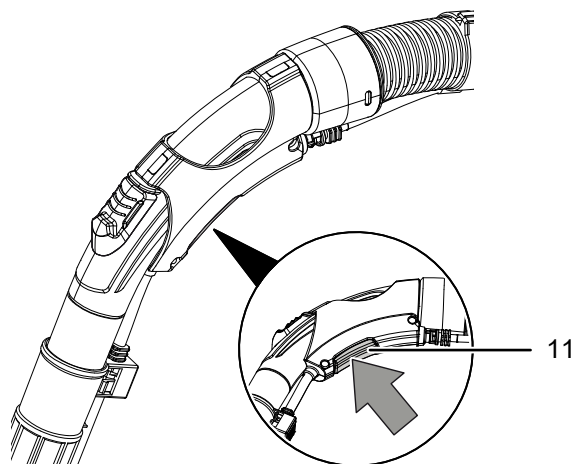
Note

Remove the dust bag before cleaning with detergent.

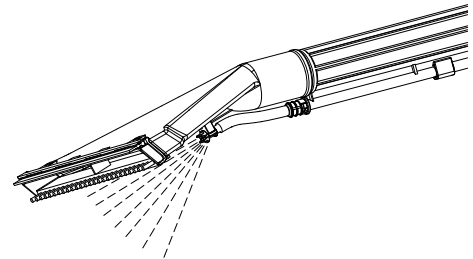
Note

Before cleaning with detergent, remove large dirt particles so as to prevent the nozzles from being blocked.

- ✓ The hose (1) is connected to the air intake opening (6), the detergent pipe (2) is connected to the fitting (22).
- 1. Attach the desired nozzle as described in the *Changing the nozzles* chapter.
- 2. Switch the device to position II.
- 3. At the start, keep the spray button on the hose handle (11) pressed until detergent sprays out of the nozzle.
 - ⇒ The device is ready for cleaning with detergent.



- 4. Move the nozzle slowly and steadily over the surface to be cleaned. Briefly press the spray button on the hose handle (11) to obtain one single shot of detergent. Keep the spray button on the hose handle (11) pressed for a longer time to obtain a continuous flow of detergent.
 - ⇒ The detergent and dissolved dirt particles are sucked into the tank (14) via the nozzle.



Suction

Note

Only use the dust bag to vacuum dry dirt! When the dust bag comes into contact with liquid, it will be damaged.

- ✓ The hose (1) is connected to the air intake opening (6).
- 1. Attach the desired nozzle as described in the *Changing the nozzles* chapter.
- 2. Switch the device to position I.
- 3. Move the nozzle slowly and steadily over the surface to be cleaned.
 - ⇒ Air and dirt particles are sucked into the nozzle.

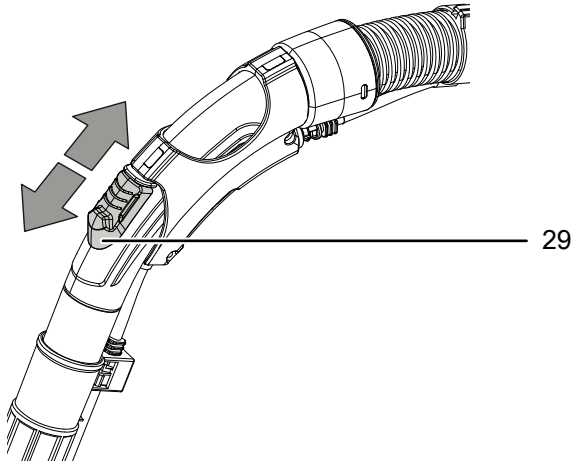
Blowing out air

- ✓ The hose (1) is connected to the air outlet opening (6).
- 1. If required, attach the desired nozzle as described in the *Changing the nozzles* chapter.
- 2. Switch the device to position I.
 - ⇒ Air flows out from the nozzle.

Adjusting the air flow

You can adjust the air flow by means of which air is sucked in or blown out.

1. Push the airflow controller (29) downwards on the hose handle to reduce the air flow.
2. Push the airflow controller (29) upwards on the hose handle to increase the air flow.



Shutdown



Warning of electrical voltage

Do not touch the mains plug with wet or damp hands.

- Switch the device off by setting the on/off switch (10) to position 0.
- Hold onto the mains plug while pulling the power cable out of the mains socket.
- Empty the collection container (7) and the detergent tank (14).
- Clean the device and its accessories as described in the Maintenance chapter.
- Store the device according to the Transport and storage chapter.

Available accessories



Warning

Only use accessories and additional equipment specified in the operating manual. The use of other accessories may present a risk of injury.

Designation	Article number
HEPA filter	7.710.000.035
Paper dust bag	7.710.000.036

Errors and faults

The device has been checked for proper functioning several times during production. If malfunctions occur nonetheless, check the device according to the following list.

Troubleshooting tasks which require the housing to be opened must only be carried out by an authorized specialist electrical company or by Trotec.

Light smoke or odour is emitted during the first use:

- This is not a fault. These phenomena disappear after a brief runtime.

The device becomes hot:

- Keep the venting slots clear to prevent the motor from overheating.



Info

Wait for at least 10 minutes before switching the device back on.

The device does not work with full power:

- The collection container may be full. Empty the collection container as described in the Maintenance chapter.
- The dust bag may be full. Change the dust bag as described in the Start-up chapter.
- The HEPA filter or foam filter may be soiled. Clean the filter as described in the Maintenance chapter.
- The hose or nozzle may be clogged. Check whether the hose and nozzle attachment are dirty. Remove any dirt.
- The individual elements of the suction module may not be properly connected to each other. Check whether the hose, suction pipe and nozzle are plugged in correctly and are firmly connected to each other.
- The air flow may not be adjusted correctly. Check the airflow controller and adjust it, if necessary.
- The motor might be defective. Have a defective motor replaced by a specialist electrical company.

The device is running, but no detergent or an insufficient amount of detergent is sprayed:

- The detergent tank may be empty. Check the fill level and refill new detergent, if necessary.
- The individual parts of the detergent pipe may not be properly connected to each other. Check whether the suction hose of the tank is connected to the suction side of the detergent pump (23), the detergent pipe (2) is inserted into the fitting (22), and whether the individual elements between the hose, suction pipe and nozzle are firmly connected.
- The detergent pipe may be blocked. Check whether any of the elements of the detergent pipe are dirty. Remove any dirt.
- The detergent may be too viscous and cannot be drawn in properly. Dilute viscous detergent with water.
- The detergent pump may be defective. If the detergent pump is defective, have it replaced by a specialist electrical company.

The spray jet is unsteady:

- The spray nozzle may be blocked. Check the spray nozzle for dirt. Remove any dirt.

Foam or waste water is escaping from the air outlet opening (3) during operation

- The filter may not be inserted correctly. Check the filter and insert it correctly, if necessary.
- The filter is heavily contaminated. Check the filter for dirt and clean it, if necessary, or change it as described in the Maintenance chapter.
- There is too much waste water or foam in the collection container. Empty the collection container and clean it as described in the Maintenance chapter. Do not use any strongly foaming detergent.

The device is emitting loud noises

- The collection container has reached the maximum water capacity. The water valve starts working and causes the noises. Empty and clean the collection container.

The detergent pump is working too noisily:

- The detergent tank may be empty. Check the fill level and refill new detergent, if necessary.
- The detergent pump may be defective. If the detergent pump is defective, have it replaced by a specialist electrical company.

The device still does not operate correctly after these checks:

Please contact the customer service. If necessary, bring the device to an authorised specialist electrical company or to Trotec for repair.

Maintenance

Activities required before starting maintenance



Warning of electrical voltage

Do not touch the mains plug with wet or damp hands.

- Hold onto the mains plug while pulling the power cable out of the mains socket.



Warning of electrical voltage

Maintenance tasks which require the housing to be opened must only be carried out by authorised specialist companies or by Trotec.

Cleaning

The device should be checked for dirt at regular intervals and cleaned as required.



Warning of electrical voltage

There is a risk of short circuits if the electrical equipment in the device interior comes into contact with water!

Do not immerse the device and the accessories in water. Ensure that no liquids enter the device interior.

- Clean the device with a soft, damp and lint-free cloth. Make sure that no moisture enters the housing. Protect electrical components from moisture. Do not use any aggressive cleaning agents such as cleaning sprays, solvents, alcohol-based or abrasive cleaners to dampen the cloth.
- Dry the device with a soft, lint-free cloth.
- Keep the ventilation openings free from dust deposits to prevent overheating of the motor.

Emptying the collection container



Info

Empty the collection container (7) after each application to ensure that the device efficiency is not reduced.

Please proceed as follows to empty the collection container:

- ✓ The device is switched off.
- 1. Open the locks (5) on both sides of the device.
- 2. Remove the device head (27).
- 3. Empty the collection container (7) and rinse it with water, if necessary. Allow the collection container (7) to air-dry.
- 4. Fit the device head (27) back on the dry collection container (7).
- 5. Close the locks (5) on both sides of the device.

HEPA filter cleaning function

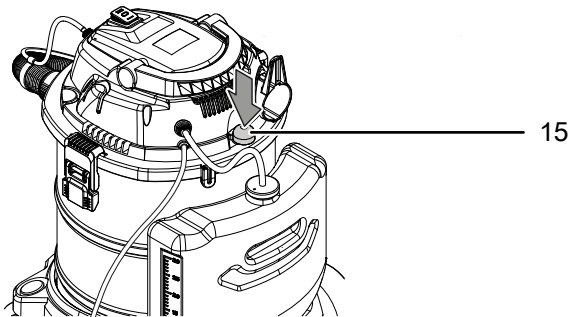
The device comes with an automatic cleaning function for the HEPA filter. This function allows air to be blown through the HEPA filter, making dirt that is stuck fall into the collection container.



Info

Keep the air intake opening shut to clean the filter more effectively.

- ✓ The device is switched on in position I.
- 1. Press the button for filter cleaning (15) several times.



⇒ Air is blown through the filter.

Cleaning the filter

Note

Do not operate the device without an inserted suitable filter!

Note

The HEPA filter and foam filter must be replaced if required.

Note

The lifetime of the HEPA filter and foam filter depends on the ambient conditions and the application period of the device.

- The HEPA filter and foam filter must be cleaned or replaced if they are very dirty. This is brought to light e.g. by a reduced capacity (see chapter Errors and faults).
- Make sure that the correct filter is installed before switching the device on.

If required, visually inspect the filter for dirt.

- ✓ The device is switched off.
- 1. Open the locks (5) on both sides of the device.
- 2. Remove the device head (27) from the collection container (7).
- 3. Loosen the filter housing (28) by turning it in counter-clockwise direction. Remove the filter housing from the device head (27).
- 4. Remove the filter inserted from the filter housing (28).
- 5. Clean the filter with a dry, lint-free cloth if it is slightly dirty.
- 6. If heavily soiled, rinse the filter carefully under clear water. Wait until the filter has dried completely before reinserting it into the device. If it is heavily soiled, dispose of the filter according to the national regulations.
- 7. Insert the cleaned or new filter into the filter housing (28).
- 8. Insert the filter housing (28) into the device head (27) and tighten it in clockwise direction.
- 9. Fit the device head (27) on the collection container (7).
- 10. Close the locks (5) on both sides of the device.

Cleaning the detergent tank

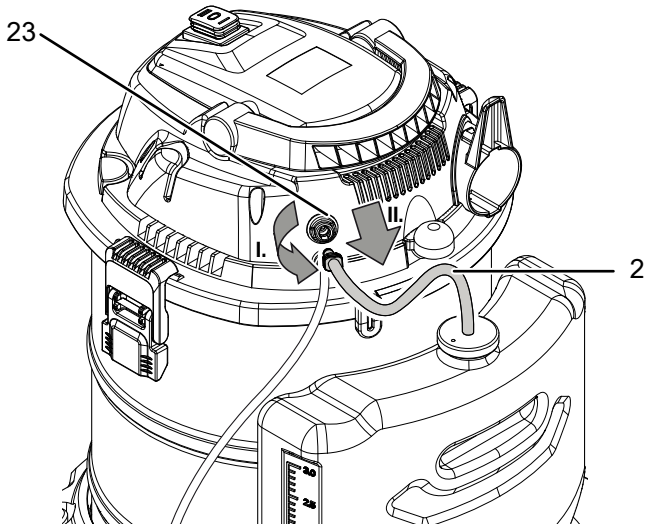


Info

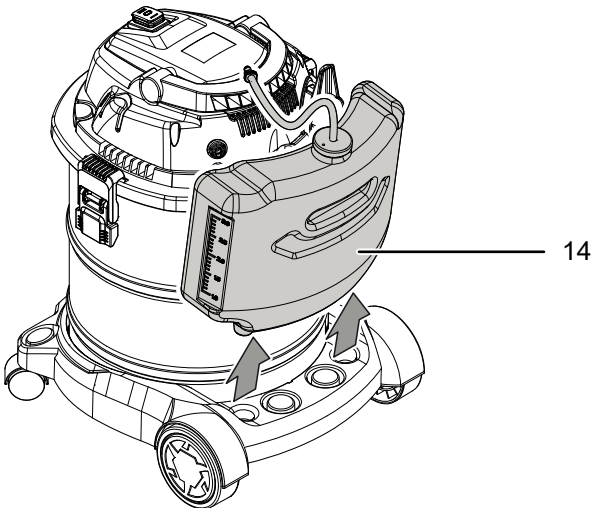
In order to prevent contamination and blockage, empty and clean the detergent tank (14) after every use.

✓ The device is switched off.

1. Turn the end of the cleaning pipe (2) in counter-clockwise direction (I.) and remove it from the rear holding fixture (23) (II.).

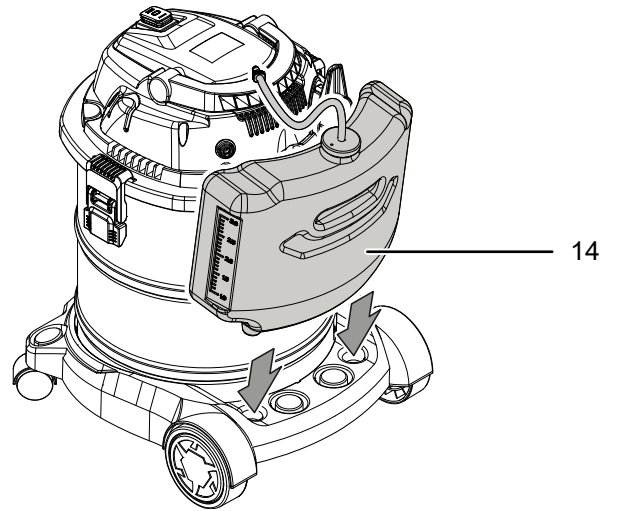


2. Remove the detergent tank (14).

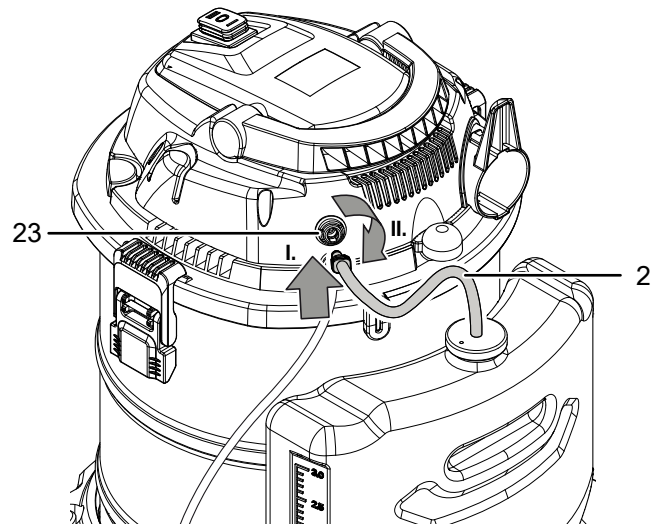


3. Empty the detergent tank (14).
4. Rinse the detergent tank (14) with water.

5. Reinsert the detergent tank (14) into the rear of the device.



6. Insert the end of the detergent pipe (2) into the rear holding fixture (23) (I.) and tighten it in clockwise direction (II.).



Rinsing the spray nozzles



Info

To prevent contamination and blockage, clean the spray nozzles (9 and 19) after every use.

1. Remove the used spray nozzle as described in the *Changing the nozzles* chapter.
2. Rinse the spray nozzle with water.
3. Attach a new spray nozzle as described in the *Changing the nozzles* chapter.

Replacing the dust bag

Note

Only use the dust bag to vacuum dry dirt! When the dust bag comes into contact with liquid, it will be damaged.

1. Remove the full dust bag as described in the *Inserting the dust bag* chapter.
2. Dispose of the full dust bag according to the national regulations.
3. Reinsert a new dust bag as described in the *Inserting the dust bag* chapter.

Disposal

Always dispose of packing materials in an environmentally friendly manner and in accordance with the applicable local disposal regulations.



The icon with the crossed-out waste bin on waste electrical or electronic equipment is taken from Directive 2012/19/EU. It states that this device must not be disposed of with the household waste at the end of its life. You will find collection points for free return of waste electrical and electronic equipment in your vicinity. The addresses can be obtained from your municipality or local administration. You can also find out about other return options that apply for many EU countries on the website <https://hub.trotec.com/?id=45090>. Otherwise, please contact an official recycling centre for electronic and electrical equipment authorised for your country.

The separate collection of waste electrical and electronic equipment aims to enable the re-use, recycling and other forms of recovery of waste equipment as well as to prevent negative effects for the environment and human health caused by the disposal of hazardous substances potentially contained in the equipment.

Only for United Kingdom

According to Waste Electrical and Electronic Equipment Regulations 2013 (SI 2013/3113) (as amended) devices that are no longer usable must be collected separately and disposed of in an environmentally friendly manner.

Trotec GmbH

Grebener Str. 7
D-52525 Heinsberg

☎ +49 2452 962-400

☎ +49 2452 962-200

✉ info@trotec.com

www.trotec.com