

TVM 18 S



EN

OPERATING MANUAL
FLOOR FAN

Table of contents

Notes regarding the operating manual..... 1

Safety 1

Information about the device..... 3

Transport and storage..... 3

Assembly and start-up..... 4

Operation 6

Errors and faults..... 6

Maintenance 7

Technical annex..... 8

Disposal 8

Notes regarding the operating manual

Symbols



Warning of electrical voltage

This symbol indicates dangers to the life and health of persons due to electrical voltage.



Warning

This signal word indicates a hazard with an average risk level which, if not avoided, can result in serious injury or death.



Caution

This signal word indicates a hazard with a low risk level which, if not avoided, can result in minor or moderate injury.

Note

This signal word indicates important information (e.g. material damage), but does not indicate hazards.



Info

Information marked with this symbol helps you to carry out your tasks quickly and safely.



Follow the manual

Information marked with this symbol indicates that the operating manual must be observed.

You can download the current version of the operating manual and the EU declaration of conformity via the following link:



TVM 18 S



<https://hub.trotec.com/?id=39592>

Safety

Read this manual carefully before starting or using the device. Always store the manual in the immediate vicinity of the device or its site of use!



Warning

Read all safety warnings and all instructions.

Failure to follow the warnings and instructions may result in electric shock, fire and / or serious injury.

Save all warnings and instructions for future reference.

This appliance can be used by children aged from 8 years and above and persons with reduced physical, sensory or mental capabilities or lack of experience and knowledge if they have been given supervision or instruction concerning use of the appliance in a safe way and understand the hazards involved.

Children shall not play with the appliance. Cleaning and user maintenance shall not be made by children without supervision.

- Do not use the device in potentially explosive rooms.
- Do not use the device in aggressive atmosphere.
- Set the device up in an upright and stable position.
- Let the device dry out after a wet clean. Do not operate it when wet.
- Do not use the device with wet or damp hands.
- Do not expose the device to directly squirting water.
- Never insert any objects or limbs into the device.
- Do not cover or transport the device during operation.
- Do not sit on the device.
- This appliance is not a toy! Keep away from children and animals. Do not leave the device unattended during operation.
- Check accessories and connection parts for possible damage prior to every use of the device. Do not use any defective devices or device parts.

- Ensure that all electric cables outside of the device are protected from damage (e.g. caused by animals). Never use the device if electric cables or the power connection are damaged!
- The electrical connection must correspond to the specifications in chapter Technical data.
- Insert the mains plug into a properly secured mains socket.
- Observe the technical data when selecting extensions to the power cable. Completely unroll the extension cable. Avoid electrical overload.
- Before carrying out maintenance, care or repair work on the device, remove the mains plug from the mains socket. Hold onto the mains plug while doing so.
- Switch the device off and disconnect the power cable from the mains socket when the device is not in use.
- Do not under any circumstances use the device if you detect damages on the mains plug or power cable. If the supply cord is damaged, it must be replaced by the manufacturer, its service agent or similarly qualified persons in order to avoid a hazard. Defective power cables pose a serious health risk.
- When positioning the device, observe the minimum distances from walls and other objects as well as the storage and operating conditions specified in the Technical data chapter.
- Ensure that the air inlet and outlet are not obstructed.
- Make sure that there are no loose items located in the immediate surroundings of air inlet and air outlet.
- When unmounted, the device should be neither operated nor connected to the mains.
- Improper installation can lead to a fire, electric shock or severe personal injury.

Intended use

Only use the device TVM 18 S as pedestal fan for the ventilation of interior spaces whilst adhering to the technical data.

Improper use

- Do not place the device on wet or flooded ground.
- Do not place any objects, e.g. clothing, on the device.
- Do not use the device outdoors.
- Any operation other than as described in this manual is prohibited. Non-observance renders all claims for liability and guarantee null and void.
- Any unauthorised modifications, alterations or structural changes to the device are forbidden.

Personnel qualifications

People who use this device must:

- be aware of the dangers that occur when working with electric devices in damp areas.
- have read and understood the operating manual, especially the Safety chapter.

Residual risks



Warning of electrical voltage

Work on the electrical components must only be carried out by an authorised specialist company!



Warning of electrical voltage

Before any work on the device, remove the mains plug from the mains socket!

Hold onto the mains plug while pulling the power cable out of the mains socket.



Warning

Dangers can occur at the device when it is used by untrained people in an unprofessional or improper way! Observe the personnel qualifications!



Warning

The device is not a toy and does not belong in the hands of children.



Warning

Risk of suffocation!

Do not leave the packaging lying around. Children may use it as a dangerous toy.

Note

Do not use abrasive cleaners or solvents to clean the device.

Behaviour in the event of an emergency

1. Switch the device off.
2. In an emergency, disconnect the device from the mains feed-in: Hold onto the mains plug while pulling the power cable out of the mains socket.
3. Do not reconnect a defective device to the mains.

Information about the device

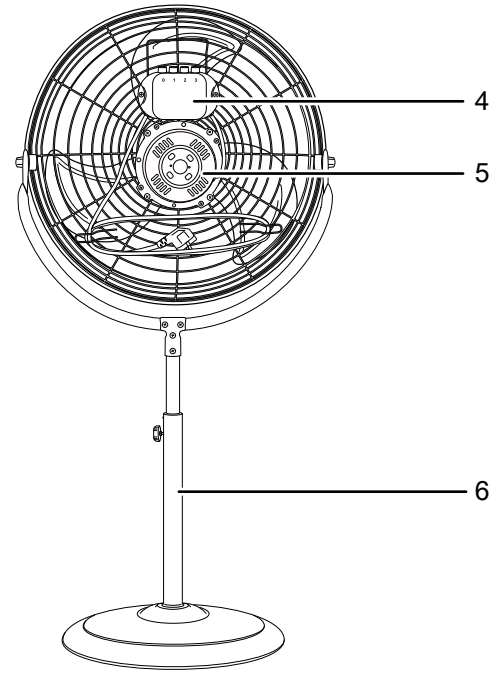
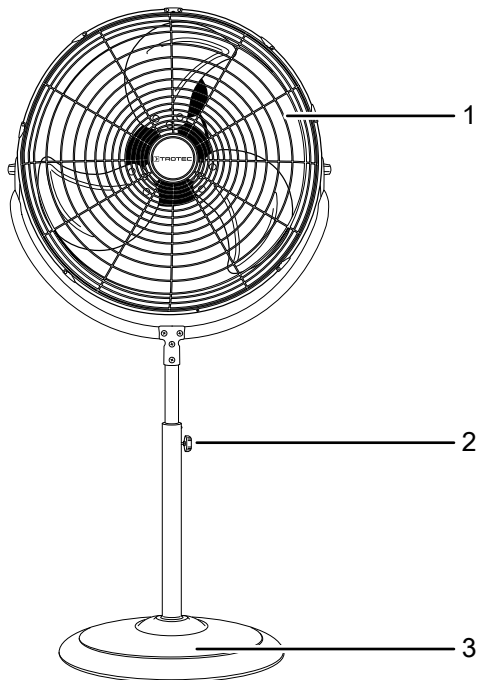
Device description

The pedestal fan TVM 18 S is suitable for indoor air circulation. The device comes with the following features:

- 3 speed levels
- Inclination angle steplessly adjustable to up to 110° for an optimum air current
- Height adjustability
- Carrying handle for easy transport
- Cable winder

Device depiction

No.	Designation
1	Protective grid
2	Height adjustment screw
3	Foot
4	Operating element
5	Motor
6	Stand



Transport and storage

Note

If you store or transport the device improperly, the device may be damaged. Note the information regarding transport and storage of the device.

Transport

Before transporting the device, proceed as follows:

- Switch off the device.
- Hold onto the mains plug while pulling the power cable out of the mains socket.
- Do not use the power cable to drag the device.

After transporting the device, observe the following:

- Set up the device in an upright position after transport.

Storage

Before storing the device, observe the following:

When the device is not being used, observe the following storage conditions:

- dry and protected from frost and heat
- in an upright position where it is protected from dust and direct sunlight
- with a cover to protect it from invasive dust if necessary
- Place no further devices or objects on top of the device to prevent it from being damaged.

Assembly and start-up

Scope of delivery

- 1 x Device TVM 18 S
- 4 x Screw
- 1 x Manual

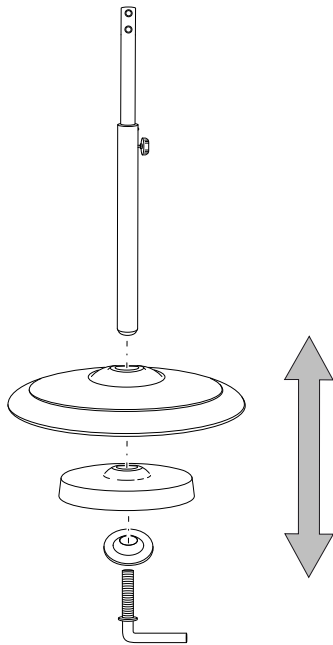
Unpacking the device

1. Open the cardboard box and take the device out.
2. Completely remove the packaging.
3. Fully unwind the power cable. Make sure that the power cable is not damaged and that you do not damage it during unwinding.

Assembly

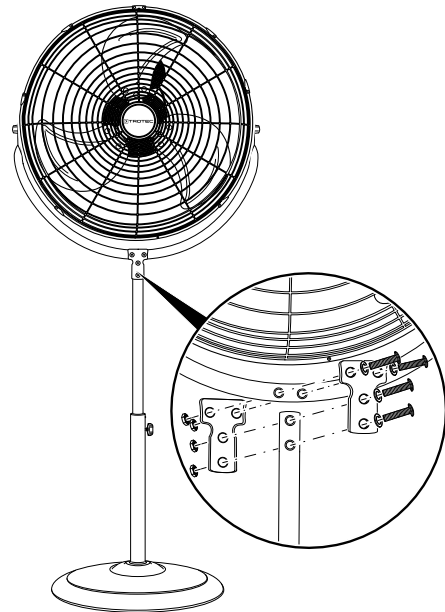
Mounting the foot

1. Assemble the foot.
2. Connect the assembled foot (3) and the pillar (6).



Connecting the fan and foot

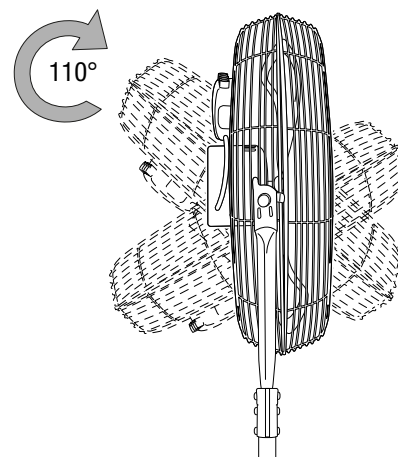
1. Connect the assembled foot with the fan.
2. Screw both parts together using the four supplied screws.



Setting the fan's inclination angle

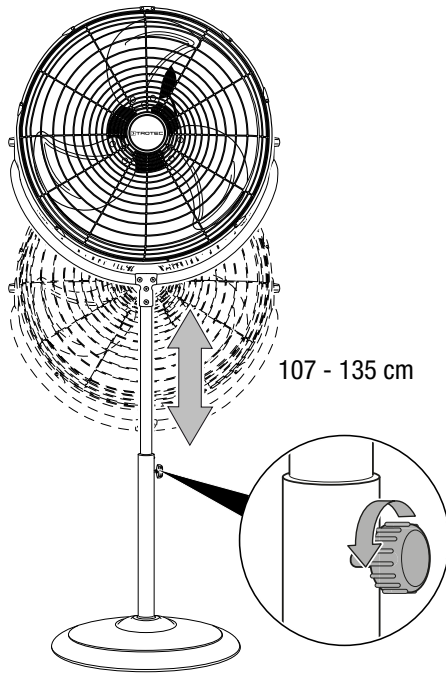
The inclination angle of the fan can be manually adjusted by up to 110°.

1. Move the fan head forward or back so that it is slightly inclined either to the front or to the rear.
⇒ The fan's inclination angle has been set and the air will flow out at the selected inclination angle.



Adjusting the height

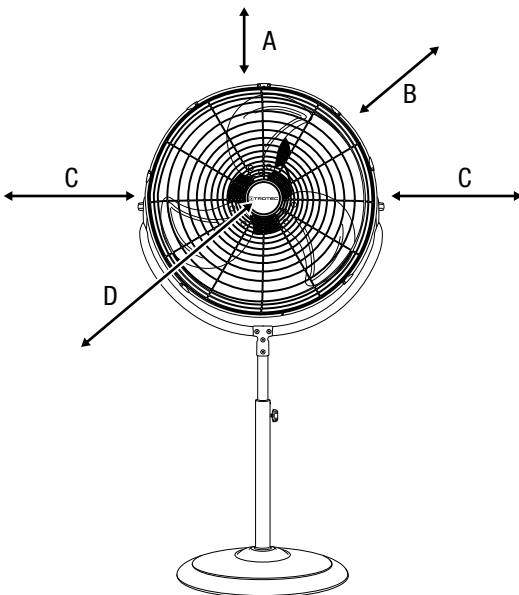
1. Turn the height adjustment screw (2) to be able to set the appropriate total height.



Start-up

When positioning the device, observe the minimum distance from walls or other objects as described in the Technical data chapter.

Positioning



Warning

Risk of injury due to incorrect start-up!
There is a risk of injury if the protective grid is not installed correctly around the impeller. The protective grid must be installed correctly before the device is switched on.



Warning

Risk of injury if protective grid is removed!
There is a risk of injury if the protective grid is removed during operation. Do not remove the protective grid while the device is in operation!

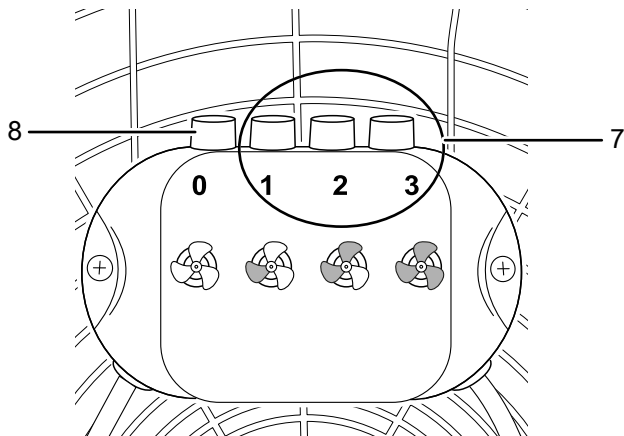
- Before restarting the device, check the condition of the power cable. If there are doubts as to the sound condition, contact the customer service.
- Set the device up in an upright and stable position.
- Do not create tripping hazards when laying the power cable or other electric cables, especially when positioning the device in the middle of the room. Use cable bridges.
- Make sure that extension cables are completely unrolled.
- Make sure that no curtains or other objects interfere with the air flow.

Connecting the power cable

- Insert the mains plug into a properly secured mains socket.

Operation

Operating elements



No.	Designation	Meaning
7	Fan stage buttons 1 2 3	Setting the fan speed: Stage 1 = low Stage 2 = medium Stage 3 = high
8	0 button	Switching the device off

Switching the device on

Once you have completely installed the device as described in the chapter Assembly and start-up, you can switch it on.

1. Press one of the *fan stage* buttons (7).
⇒ The device switches over to the selected fan stage.

Shutdown



Warning of electrical voltage

Do not touch the mains plug with wet or damp hands.

- Switch off the device by pressing the 0 button.
- Hold onto the mains plug while pulling the power cable out of the mains socket.
- Clean the device according to the Maintenance chapter.
- Store the device according to the Storage chapter.

Errors and faults

The device has been checked for proper functioning several times during production. If malfunctions occur nonetheless, check the device according to the following list.

The device does not start:

- Check the power connection.
- Check the power cable and mains plug for damages.
- Check the on-site fusing.
- Wait for 10 minutes before restarting the device. If the device is not starting, have the electrics checked by a specialist company or by Trotec.

The fan does not start:

- Check whether the unit is switched on.
- Check the power supply and whether the plug or cable is defective.

The device is loud or vibrates:

- Check whether the device is set up in a stable and upright position.
- Check whether the device is mounted correctly.

Note

Wait for at least 3 minutes after maintenance and repair work. Only then switch the device back on.

Your device still does not operate correctly after these checks?

Please contact the customer service. If necessary, bring the device to an authorized specialist electrical company or to Trotec for repair.

Maintenance

Activities required before starting maintenance



Warning of electrical voltage

Do not touch the mains plug with wet or damp hands.

- Switch the device off.
- Hold onto the mains plug while pulling the power cable out of the mains socket.

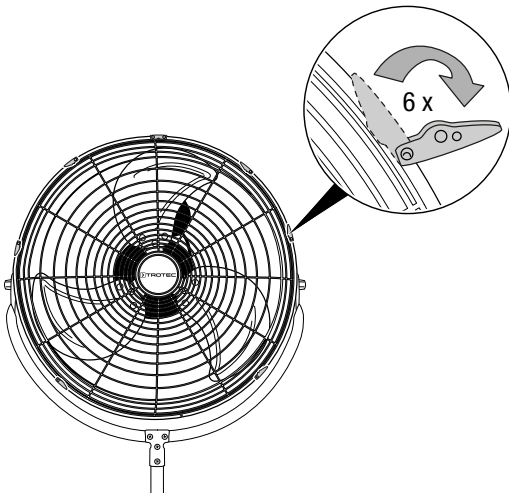
Cleaning the housing

Clean the housing with a soft, damp and lint-free cloth. Ensure that no moisture enters the housing. Protect electrical components from moisture. Do not use any aggressive cleaning agents such as cleaning sprays, solvents, alcohol-based or abrasive cleaners to dampen the cloth.

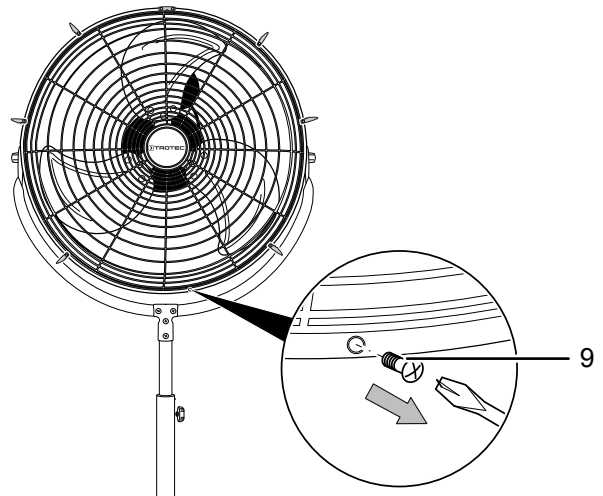
Removing the protective grid for cleaning

To be able to clean the fan blades as described in the Maintenance chapter, remove the protective grid (1) as described below.

- ✓ The device is switched off.
 - ✓ The power cable has been removed from the mains socket.
1. Open the six fastening clamps at the protective grid.



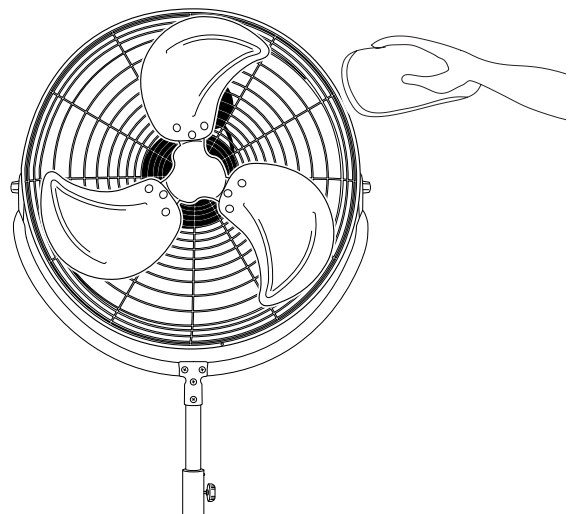
2. Unscrew the connection screw (9) below the protective grid (1).



3. To reinstall the protective grid after cleaning, screw in the connection screw (9) and close the six fastening clamps again.

Cleaning the fan blades

- ✓ The device is switched off.
 - ✓ The power cable has been removed from the mains socket.
1. Remove the protective grid following the instructions above.
 2. Clean the fan blades with a soft, damp and lint-free cloth. Ensure that no moisture enters the housing. Protect electrical components from moisture. Do not use any aggressive cleaning agents such as cleaning sprays, solvents, alcohol-based or abrasive cleaners to dampen the cloth.



- Other than that, the device does not require maintenance.

Technical annex

Technical data

Model:	TVM 18 S
Fan stages:	3
Air velocity:	3.85 m/s
Input voltage:	220 - 240 V / 50 Hz
Power input:	100 W
Length of the power cable:	1.5 m
Storage and operating conditions:	<ul style="list-style-type: none"> • dry and protected from frost and heat • in an upright position • protected from direct sunlight
Adjustable inclination angle:	110°
Adjustable in height:	107 - 135 cm
Sound pressure level (at 1 m distance, stage 2):	65 dB(A)
Fan blade diameter:	45 cm
Dimensions (length x width x height):	450 x 540 x 1,350 (mm)
Weight:	8 kg
Minimum distance to walls and other objects:	top (A): 30 cm rear (B): 30 cm sides (C): 30 cm front (D): 30 cm

Disposal



The icon with the crossed-out waste bin on waste electrical or electronic equipment stipulates that this equipment must not be disposed of with the household waste at the end of its life. You will find collection points for free return of waste electrical and electronic equipment in your vicinity. The addresses can be obtained from your municipality or local administration. For further return options provided by us please refer to our website www.trotec24.com.

The separate collection of waste electrical and electronic equipment aims to enable the re-use, recycling and other forms of recovery of waste equipment as well as to prevent negative effects for the environment and human health caused by the disposal of hazardous substances potentially contained in the equipment.

Trotec GmbH & Co. KG

Grebener Str. 7
D-52525 Heinsberg

☎ +49 2452 962-400

☎ +49 2452 962-200

✉ info@trotec.com
www.trotec.com